

TCM

FD/FG20-30T5C



INTERNAL COMBUSTION PNEUMATIC TYRE
FORKLIFT TRUCK

2.0 - 3.0 TONS

DRIVING LOGISTICS EXCELLENCE

The TCM FD/FG20-30T5C forklift truck is driving logistics management towards new levels of performance excellence. An impressive load capacity of 2.0 to 3.0 tons underscores the truck's power and productivity while its leading-edge features guarantee safety and reliability. Refined ergonomics and steadfast structural integrity anchor this truck in a class of its own.

FORMIDABLE AND AGILE

The TCM FD/FG20-30T5C forklift truck is the epitome of power, agility and efficiency.



Robust Lifting Strength

The truck's robust performance lies in its lifting prowess. Its low centre of gravity imbues it with optimal balance and stability that ensures safety and stability. A high torque delivers steady lift speeds regardless of load extremes, increasing overall productivity.



Lifting Capacities:

- Lift speed: 640mm/s (when loaded)
- 670mm/s (without load)
- FD25T5C

No capacity deration up to a height of 4 metres (2-stage mast).



Remarkable Manoeuvrability

A fully hydraulic power steering system equips the truck with remarkable manoeuvrability. It is able to navigate freely within confined spaces, executing tight turns smoothly.

- An excellent steering feature with a minimum turning radius of 2325 mm • FD25T5C
- Right angle stacking aisle width 4085 mm • FD25T5C



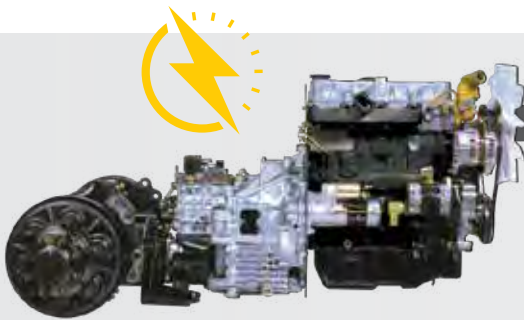
RELIABLE AND DURABLE

The TCM FD/FG20-30T5C forklift truck is designed for power and built to last.



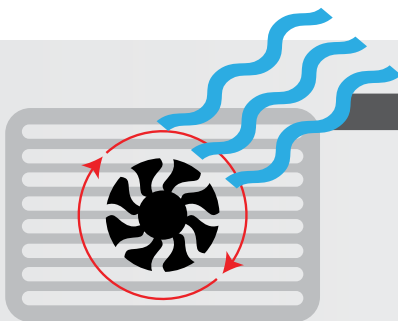
Formidable Engine

At the heart of the truck purrs a formidable 44kW diesel engine that delivers supreme performance. It makes light work of lifting loads while travelling at optimal speeds. The versatile GK25 dual fuel engine forms the core of all TCM gasoline forklift trucks, offering either the gasoline or LPG options.



Efficient Powertrain

A full-floating powertrain efficiently manages the truck's impressive power, curtailing any vibrations from affecting the frame and chassis. By doing so, the powertrain maximises the truck's power while reducing wear and tear of critical components, and also ensuring comfort for the driver.



Superb Cooling System

A cutting-edge cooling system optimally regulates airflow, preventing engine overheating especially when operating in tropical conditions with high humidity and extreme temperatures. Engineered to perfection, this vital system is centred on a powerful fan that cools the engine and radiator to maintain high performance. Such effective engine management reduces stress to key components and sustains truck performance and reliability.



Effortless Maintenance

Designed for hassle-free maintenance, this model is easy to repair sans any special equipment. The easily-accessible engine bay is large and neatly organized with much room for routine repairs and servicing.



SAFE & SECURE

The TCM FD/FG20-30T5C forklift model surpasses industry benchmarks for safety, security and comfort.

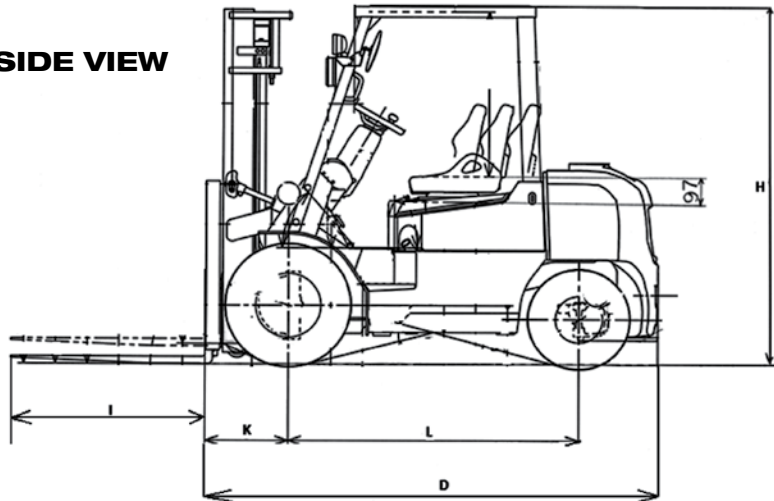
- ① **Wide Visibility**
Multi-directional visibility ensures clear front and rear fields of vision.
- ② **Integral Mast Interlock**
An integrated interlock system locks mast movement whenever the switch key is off. This intelligent feature safeguards against human injury and property damage, taking truck safety to the next level.
- ③ **Integrated Digital Display**
An unobstructed digital monitor relays updated information clearly to the operator.
- ④ **Neutral Safety Start**
This unique safety design dictates that the engine can only be started when the control lever is in neutral. The truck cannot start when it is in gear.
- ⑤ **Overhead Guard**
A reinforced overhead safety guard protects the operator, and also provides comfort and shelter when outdoors without obstructing visibility.
- ⑥ **Flexible Steering Column**
A tilting steering column accommodates operators of different size and build, promising them greater mobility and comfort.

SPECIFICATIONS

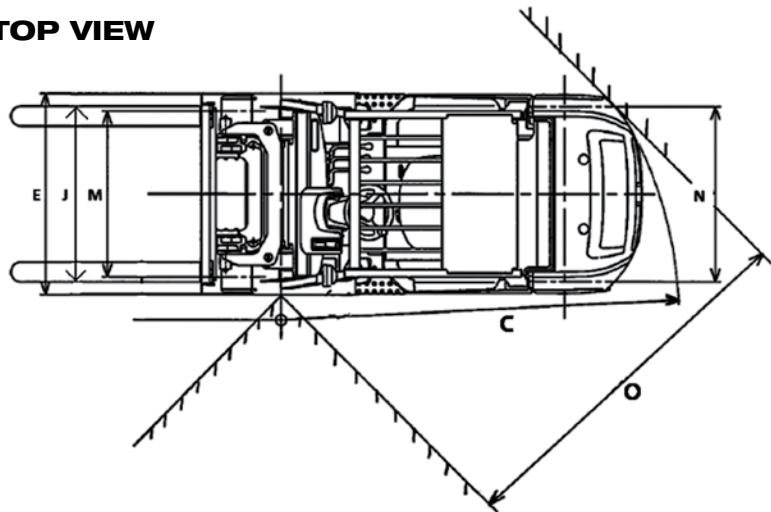
CHARACTERISTICS									
1	Type of Truck					DIESEL ENGINE TRUCK			
2	Model					FD20T5C	FD25T5C	FD30T5C	
3	Loading Capacity				Kg	2000	2500	3000	
4	Load Center				mm				500
PERFORMANCE									
5	Maximum Fork Height				mm	A	3000	3000	3000
6	Free Fork Height				mm	B	140	140	145
7	Speeds	Lifting	Loaded	mm/s			640	640	510
			Unloaded	mm/s			670	670	545
		Lowering	Loaded	mm/s			500	500	530
			Unloaded	mm/s			500	500	500
8	Tilt	Mast	Forward	deg					6
			Backward	deg					10
9	Speeds	Traveling	Loaded	km/h			19	19	19
			Unloaded	km/h			19.5	19.5	19.5
10	Maximum Drawbar Pull	stationary on slope	Loaded	N			20000	19700	19400
	Drawbar Pull	at 1.6km/h	Loaded	N			17800	17600	17200
11	Maximum Gradeability	stationary on slope	Loaded	%			40.4	34.2	27.7
	Gradeability	at 1.6km/h	Loaded	%			35.6	30.2	24.5
12	Turning Radius				mm	C	2300	2325	2415
13	Practical Intersecting Aisle Width				mm	O	2230	2240	2335
14	Practical Aisle for Right Angle Stacking				mm		4055	4085	4210
DIMENSIONS									
15	Overall Length to Fork Face				mm	D	2525	2560	2690
16	Width	with Standard Tires			mm	E	1165	1165	1285
		with Lowered Mast			mm	F	1990	1990	2015
		with Extended Mast (with backrest)			mm	G	4055	4055	4055
		to top of Overhead Guard			mm	H	2075	2075	2095
18	Forks (Thickness x Width x Length)				mm	I	45X100X920	45X100X1070	45X122X1070
19	Forks Spread (Out-to-Out Minimum / Maximum)				mm	J	244/1000		285/1000
20	Front Overhang (Center of Front Axle to Fork Face)				mm	K	455	460	495
21	Wheelbase				mm	L	1650	1650	1670
22	Tread Width	Front, Standard Tires			mm	M	960	960	1060
		Rear, Tires			mm	N	980	980	980
23	Ground Clearance	at Lowest Point Mast			mm		115	115	135
		at Center of Wheelbase			mm		165	165	185
24	Tire Size	Front			mm		7.00-12-12PR		28X9-15-12PR
		Rear			mm		6.00-9-10PR		6.50-10-10PR
WEIGHT									
25	Machine Weight				kg		3373	3665	4300
BRAKE									
26	Service Brake Type								Hydraulic
27	Parking Brake Type								Hand
POWER TRAIN									
28	Engine	Model					S4S Tier 2		
		Max. Rated Power/rpm to D1N70020			kW/rpm		44/2300		
		Max. Rated Torque/rpm to D1N70020			Nm/rpm		183/1800		
		Displacement			cc		3331		
		Fuel Tank Capacity			L		56		
29	Transmission	Type					ATM		
		Forward					1		
		Backward					1		
30	Relief of Pressure	For Attachments			Mpa		18.1		

GASOLINE ENGINE TRUCK		
FG20T5C	FG25T5C	FG30T5C
2000	2500	3000
3000	3000	3000
140	140	145
580	580	460
660	660	530
500	500	530
500	500	500
19	19	19
19.5	19.5	19.5
18600	18400	18300
16200	16000	15800
38.1	32.2	26.5
32.8	27.8	22.8
2300	2325	2415
2230	2240	2335
4055	4085	4210
2525	2560	2690
1165	1165	1285
1990	1990	2015
4055	4055	4055
2075	2075	2095
45X100X920	45X100X1070	45X122X1070
244/1000		285/1000
455	460	495
1650	1650	1670
960	960	1060
980	980	980
115	115	135
165	165	185
7.00-12-12PR		28X9-15-12PR
6.00-9-10PR		6.50-10-10PR
3266	3557	4193
Operated		
K25		
40/2200		
186/1600		
2488		
(TORQUE CONVERTER)		

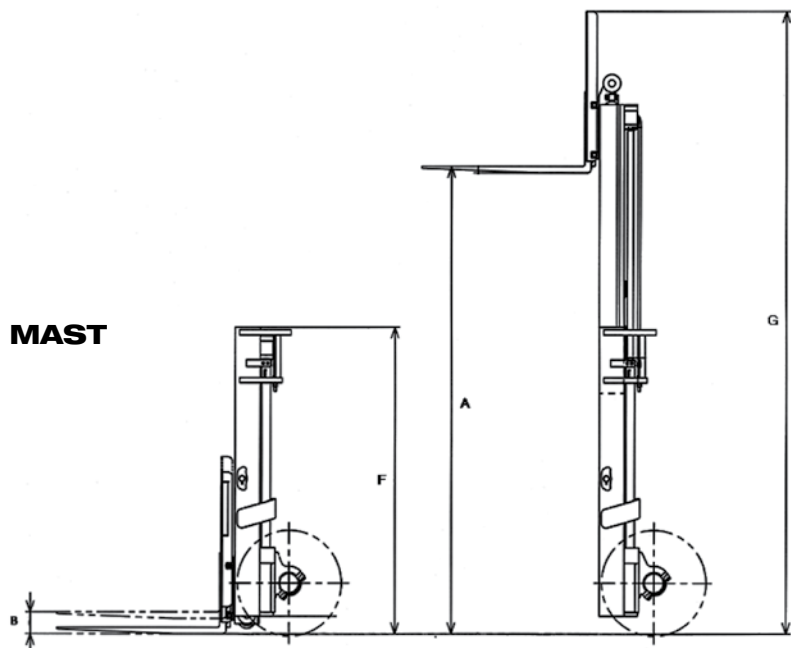
SIDE VIEW



TOP VIEW



MAST





TCM

© 2020 by MLAP. All rights reserved.

Note:

These products and specifications are subject to change without notice.
Photos and illustrations may slightly differ from the actual trucks.
Photos and illustrations may or may not include optional equipment and accessories.
Features and specifications may vary depending on markets.
Performance data and dimensions are nominal and subject to tolerances.
Produced in ISO certified factory.

PRESENTED BY :